

Tel: 01656 776222 Fax: 01656 776220
Email: ordersuk@invacare.com
Online Spares available at www.invacare.co.uk

Customer Ref:	Account No:
Contact No:	Order No:
Delivery Address:	Order Qty:
	Order Date:

Action⁵ Rigid

SWING AWAY LEGRESTS OR
FIXED FRONT END

RETAIL

MAX USER WEIGHT 130KG

Standard Features



- Self Propulsion with 22" or 24" quick release rear wheels
- Choice of 7 seat widths 380mm to 530mm (15" - 21")
- Choice of 7 seat depths 350mm or 500mm (14" - 20")
- Choice of 8 front seat to floor heights 360mm to 535mm (14" - 21")
- Choice of 7 rear seat to floor heights 360mm to 510mm (14" - 20")
- Tension adjustable nylon seat upholstery
- Fixed backrest (90° to the seat rail)
- Fixed backrest, nylon and mesh padded cover
- Fixed front end or 80° swing in/swing out legrest hangers with
- Flip up footplates
- Sideguards / skirtguards
- Choice of 10 exciting colours and 2 component accents!
- 2° Camber
- Push to lock brakes
- Transportation kit with buckle belt
- Adjustable heel straps
- User tool kit



Standard Base Price: £1,075

* Configurations may vary to the image shown

	<input checked="" type="checkbox"/>	Please make your selection with a cross in the box ◆ Standard feature ○ Free of Charge (NC : 9999) Non Conformance with 9999						
→	Customer weight =		Kg					
Code	Description	NC's (Non Conformance)	RETAIL					
MODEL								
SJE0016	<input checked="" type="checkbox"/>	ACTION 5 RIGID	£1,075					
SJESPEC		ACTION 5 RIGID SPECIAL MODEL - PLEASE COMPLETE DETAILS AT THE END OF THE FORM						
FRAME TYPE								
SJE0200		SWING AWAY LEGREST FRONT FRAME (NC: 3230, 3440, 3450)	○					
SJE0210		FIXED FRONT FRAME (80° ANGLE) (NC: LEGREST OPTIONS 3010, 3020, 3030, 3040, 3050, 3110, 3120, 3130, 3140, 3150, 3400, 3410, 3420, 3430)	○					
PROPULSION TYPE								
SJE0300	<input checked="" type="checkbox"/>	SELF PROPULSION	◆					
SEAT WIDTHS AND DEPTHS								
Product Code	Seat depth in (MM)	SEAT WIDTH (MM)						
		380MM (15") SJE1030	405MM (16") SJE1040	430MM (17") SJE1050	455MM (18") SJE1060	480MM (19") SJE1070	505MM (20") SJE1075	530MM (21") SJE1078
MAX WEIGHT 130KG								
SJE1100	350MM (14")	○	○	○	○	○	○	○
SJE1110	375MM (15")	○	○	○	○	○	○	○
SJE1120	400MM (16")	○	○	○	○	○	○	○
SJE1130	425MM (17")	○	○	○	○	○	○	○
SJE1140	450MM (18")	○	○	○	○	○	○	○
SJE1150	475MM (19")	○	○	○	○	○	○	○
SJE1160	500MM (20")	○	○	○	○	○	○	○
ADJUSTABLE DEPTHS								
SJE1170	350-400MM (14"-16")	○	○	○	○	○	○	○
SJE1180	400-450MM (16"-18")	○	○	○	○	○	○	○
SJE1190	450-500MM (18"-20")	○	○	○	○	○	○	○

SJE1100 is also not compatible with code 7600.

FRONT SEAT TO FLOOR HEIGHTS

Castor Size	FRONT seat height (FSTF) & castor size available								
	(MM)	360	385	410	435	460	485	510	535
4"	✓		✓	✓	✓	✓	✓		
5"		✓	✓	✓	✓	✓	✓	✓	
6"					✓	✓	✓	✓	
7"						✓	✓	✓	✓

**NB: THE COMBINATION OF FRONT SEAT TO FLOOR HEIGHTS AND AVAILABLE CASTORS ARE CLEARLY OUTLINED IN THE TABLE ABOVE
PLEASE BE AWARE IN ORDER TO ACHIEVE FSTF HEIGHTS 360 & 385MM AN ULTRA LOW FORK MUST BE USED WHICH IS ONLY AVAILABLE IN BLACK**

SJE1200	360 MM (14")	(NC: 3040, 3140, 3420, 3430, 7040)	○
SJE1210	385 MM (15")	(NC: 3040, 3140, 7070)	○
SJE1220	410 MM (16")		○
SJE1230	435 MM (17")	(NC: 7110)	○
SJE1240	460 MM (18")		○
SJE1250	485 MM (19")		○
SJE1260	510 MM (20")		○
SJE1270	535 MM (21")	(NC: 3030, 3130)	○

REAR SEAT TO FLOOR HEIGHTS (REAR SEAT HEIGHT MUST BE EQUAL TO OR LOWER THAN FRONT SEAT HEIGHT)

360	<input type="checkbox"/>					
385	<input type="checkbox"/>					
410	<input type="checkbox"/>					
435	<input type="checkbox"/>					
460	<input type="checkbox"/>					
485	<input type="checkbox"/>					
510	<input type="checkbox"/>					
535	<input type="checkbox"/>					
Available rear seat height	<input type="checkbox"/>	360				
	<input type="checkbox"/>	385	<input type="checkbox"/>	360		
	<input type="checkbox"/>	410	<input type="checkbox"/>	385	<input type="checkbox"/>	360
	<input type="checkbox"/>	435	<input type="checkbox"/>	410	<input type="checkbox"/>	385
	<input type="checkbox"/>	460	<input type="checkbox"/>	435	<input type="checkbox"/>	410
	<input type="checkbox"/>	485	<input type="checkbox"/>	460	<input type="checkbox"/>	435
	<input type="checkbox"/>	510	<input type="checkbox"/>	485	<input type="checkbox"/>	460
	<input type="checkbox"/>		<input type="checkbox"/>	510	<input type="checkbox"/>	485

NB: RSTF height can never be higher than FSTF height.


SJE1300	360mm (14")		○
SJE1310	385mm (15")		○
SJE1320	410mm (16")		○
SJE1330	435mm (17")		○
SJE1340	460mm (18")		○
SJE1350	485mm (19")		○
SJE1360	510mm (20")		○

SEAT UPHOLSTERY OPTIONS

SJE1520	X	TENSION ADJUSTABLE SEAT UPHOLSTERY, DEPTH ADJUSTABLE -50MM	◆
---------	----------	--	---

BACKREST

BACKREST CANE ATTACHMENT - INDEPENDENT OF THE BACKREST CANE

SJE2000	FIXED ANGLE (90° TO THE SEAT RAIL)		◆
SJE2020	ANGLE ADJUSTABLE AND FOLD DOWN (-15° to + 15°) FOLDS FORWARD ON SEAT & LOCKS IN POSITION		£85

BACKREST CANE- COMPLETE SECTION 1 FOR A FIXED BACKREST OR SECTION 2 FOR A HEIGHT ADJUSTABLE BACKREST

SECTION 1 - FIXED BACKREST CANE (MAKE YOUR SELECTION USING THE TABLE BELOW)

○

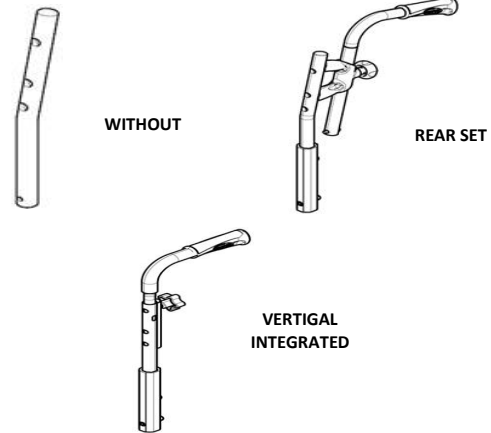
FIXED BACKREST SECTION ONLY								
PUSH HANDLES INCLUDED *Short **Long								
SJE2130 (12") 300MM*	SJE2140 (13") 325MM*	SJE2143 (14") 350MM*	SJE2150 (15") 375MM**	SJE2153 (16") 400MM**	SJE2160 (17") 425MM**	SJE2163 (18") 450MM**	SJE2170 (19") 475MM**	SJE2173 (20") 500MM**
○	○	○	○	○	○	○	○	○

Additional Info:

1. Heights 12"-20" are not compatible with codes 2300, 2310, 2400, 2410, 2420.
2. Heights 12"-14" are also not compatible with 2505 and 8160.
3. Heights 12"-15" are not compatible with code 8200. Wheelchairs must have a backrest height of 400mm (16") or above, in order to be used during transportation.

SECTION 2 - HEIGHT ADJUSTABLE BACKREST CANE (MAKE YOUR SELECTION USING A CROSS X IN THE TABLE BELOW)

PUSH HANDLE TYPE	HEIGHT ADJUSTABLE BACKREST ONLY		£32
	SJE2300 (14.5"-16") 360-400MM	SJE2310 (16"-19.5") 410-490MM	
SJE2400 WITHOUT			◆
SJE2410 REAR SET (HT ADJ +150MM)			£68
SJE2420 VERTICAL INTEGRATED (HT ADJ +135MM)			£108



Additional Info:

1. Height adjustable backrest 2300 is not compatible with code 2505.
2. Without push handles 2400 is not compatible with code 8160, 9100 and 9200.
3. Rear set push handles 2410 are not compatible with code 2505.

BACKREST UPHOLSTERY OPTIONS

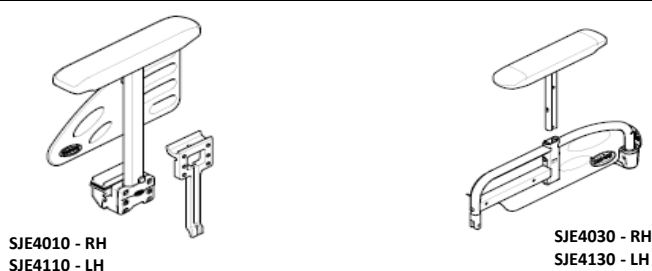
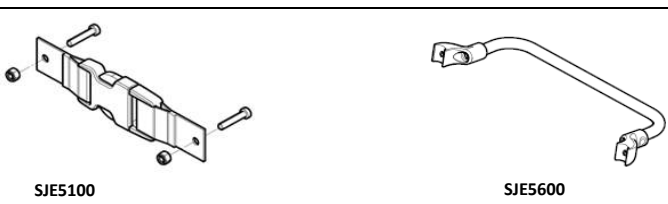
SJE2500	WITHOUT BACKREST UPHOLSTERY / OMIT UPHOLSTERY	○
SJE2505	FIXED BACKREST, NYLON & MESH PADDED COVER (WITH REFLECTIVE STRIP & BACK POCKET) (NC: 5500)	◆
SJE2510	TENSION ADJUSTABLE STRAPS, NYLON & MESH COVER (WITH REFLECTIVE STRIP & BACK POCKET)	£63

FOOT AND LEG SUPPORT OPTIONS


LEGREST HANGERS: PAIRS RH, SWING AWAY FRAME ONLY

SJE3010	70° STRAIGHT RH (NC : 5200, 5300, 5350)	○
SJE3020	80° STRAIGHT RH (NC : 5200, 5300, 5350)	◆
SJE3030	90° STRAIGHT RH (NC: 3200, 5200, 5300, 5350, 7080, 7090, 7100, 7110)	○
SJE3040	ELEVATING LEGREST (0° TO 80°) RH WITH CALF PAD (NC: 3400, 5400)	£99
SJE3050	AMPUTEE LEGREST RH (NC: 3200, 3210, 5200, 5300, 5350, 5400, 8100, 8120)	£114

LEGREST HANGERS: PAIRS LH, SWING AWAY FRAME ONLY			
SJE3110	70° STRAIGHT LH	(NC : 5200, 5250, 5350)	○
SJE3120	80° STRAIGHT LH	(NC : 5200, 5250, 5350)	◆
SJE3130	90° STRAIGHT LH	(NC: 3300, 5200, 5250, 5350, 7080, 7090, 7100, 7110)	○
SJE3140	ELEVATING LEGREST (0° TO 80°) LH WITH CALF PAD	(NC: 3400, 5400)	£99
SJE3150	AMPUTEE LEGREST LH	(NC: 3300, 3310, 5200, 5250, 5350, 5400, 8100, 8120)	£114
FOOTPLATE OPTIONS: RH			
SJE3200	FLIP UP FOOTPLATE	(NC: 3410, 5200, 5250, 5350)	◆
SJE3210	FLIP UP DEPTH & ANGLE ADJUSTABLE FOOTPLATE	(NC : 5250)	£37
SJE3230	ONE PIECE FOOTPLATE DEPTH & ANGLE ADJUSTABLE	(NC : 5200, 5250, 5300, 5350)	£160
FOOTPLATE OPTIONS: LH			
SJE3300	FLIP UP FOOTPLATE	(NC: 3410, 5200, 5250, 5300, 5350)	◆
SJE3310	FLIP UP DEPTH & ANGLE ADJUSTABLE FOOTPLATE	(NC : 5300)	£37
FOOTREST TUBE (Given knee to heel lengths for adjustable footplates only. Add +15mm with fixed footplate)			
SJE3400	SWING AWAY FRAME, HIGH MOUNTED TUBE FOR KNEE TO HEEL 160 - 375 MM		○
SJE3410	SWING AWAY FRAME, SHORT TUBE FOR KNEE TO HEEL 285 - 375 MM		○
SJE3420	SWING AWAY FRAME, STANDARD TUBE FOR KNEE TO HEEL 295 - 420 MM		○
SJE3430	SWING AWAY FRAME, LONG TUBE FOR KNEE TO HEEL 400 - 525 MM		○
SJE3440	STANDARD TUBE FOR KNEE TO HEEL 320 - 460 MM	(ONLY WITH FIXED FRONT FRAME)	○
SJE3450	LONG TUBE, FOR KNEE TO HEEL 360 - 500 MM	(ONLY WITH FIXED FRONT FRAME)	○
ARMREST AND SIDEGUARD OPTIONS			
MUDGUARDS / SIDE GUARDS (PAIR)			
SJE3750	SIDEGUARDS/SKIRTGUARD	(NC: 4010, 4020, 4030, 4040, 4110, 4120, 4130, 4140)	◆
SJE3800	REMOVABLE MUDGUARD	(NC: 4010, 4020, 4030, 4040, 4110, 4120, 4130, 4140, 8160)	£63
ARMRESTS RH			
SJE4010	REMOVABLE RH, HEIGHT ADJUSTABLE (N°.1) T-ARM DESK ARMPAD (280 MM), ADJUSTABLE ON SEATRAIL BY 150 MM		£63
SJE4020	REMOVABLE RH, HEIGHT ADJUSTABLE (N°.1) T-ARM FULL ARMPAD (380 MM), ADJUSTABLE ON SEATRAIL BY 50 MM		£63
SJE4030	SWING AWAY DETACHABLE HEIGHT ADJ RH (N°3) DESK ARMPAD (280 MM), REVERSIBLE INCREASES FRONT BY 50 MM		£84
SJE4040	SWING AWAY DETACHABLE HEIGHT ADJ RH (N°3) FULL ARMPAD (380 MM)		£84

ARMRESTS LH		
SJE4110	REMOVABLE LH, HEIGHT ADJUSTABLE (N°.1) T-ARM DESK ARMPAD (280 MM), ADJUSTABLE ON SEATRAIL BY 150 MM	£63
SJE4120	REMOVABLE LH, HEIGHT ADJUSTABLE (N°.1) T-ARM FULL ARMPAD (380 MM), ADJUSTABLE ON SEATRAIL BY 50 MM	£63
SJE4130	SWING AWAY DETACHABLE HEIGHT ADJ LH (N°3) DESK ARMPAD (280 MM), REVERSIBLE INCREASES FRONT BY 50 MM	£84
SJE4140	SWING AWAY DETACHABLE HEIGHT ADJ LH (N°3) FULL ARMPAD (380 MM)	£84
		
SEATING OPTIONS		
SJE5000	50 MM / 2" FOAM CUSHION NYLON & ANTI-SLIP COVER	£17
SJE5100	CLIP TO KEEP THE CHAIR FOLDED	£13
SJE5400	ADJUSTABLE CALF STRAP	0
SJE5600	FIX BACKBRACE	17
		
CHASSIS		
FRAME COLOURS		
SJE6000	PEARL WHITE	0
SJE6010	ANTHRACITE BLACK	0
SJE6020	POP BLUE	0
SJE6030	DARK RED	0
SJE6040	ELECTRIC GREEN	0
SJE6050	HYPNOTIC PURPLE	0
SJE6060	PEARL GREY	0
SJE6070	MATT BLACK	0
SJE6080	INTENSE YELLOW	0
SJE6090	VIBRANT ORANGE	0
SJE6099	SPECIAL RAL COLOUR - 3 WEEK LEAD TIME	£145
SWO0615	SLATE GREY - SPECIAL COLOUR, 3 WEEK LEAD TIME	£145
SWO0456	RED MATT - SPECIAL COLOUR, 3 WEEK LEAD TIME	£145
SWO0651	POLAR BLUE - SPECIAL COLOUR, 3 WEEK LEAD TIME	£145
SWO0652	CANDY PINK - SPECIAL COLOUR, 3 WEEK LEAD TIME	£145
ACCENT COLOURS (rear wheel plate, fork, disks on castorhousing, QR axle cap)		
SJE6100	WITHOUT ACCENT (SILVER FORK & REAR WHEEL SUPPORT)	0
SJE6110	BLUE	0
SJE6200	PURPLE	0

FRONT WHEELS (CASTORS)								
SJE7000	4" x 1.1/4" (100 x 30 MM) GREY SOFTROLL	£32						
SJE7020	4" x 3/4" (100 x 20 MM) GREY SOLID	○						
SJE7030	4" x 1" (100 x 25 MM) GREY SOLID, INTEGRATED "LIGHTS"	£22						
SJE7040	4" x 1.3/8" (100 x 35 MM) GREY ALU SOFTROLL	£32						
SJE7055	5" x 1" (125 x 25 MM) GREY SOLID	◆						
SJE7060	5" x 1" (125 x 25 MM) GREY SOLID, INTEGRATED "LIGHTS"	£22						
SJE7070	5" x 1.3/8" (125 x 35 MM) GREY ALU SOFTROLL	£32						
SJE7080	6" x 1" (150 x 25 MM) GREY SOLID	○						
SJE7100	6" x 1.3/8" (150 x 35 MM) GREY ALU SOFTROLL	£32						
SJE7110	7" x 1.1/4" (180 x 30 MM) GREY SOLID	○						
REAR WHEELS								
REAR WHEEL RIM TYPE (MOUNTED WITH 12mm QUICK RELEASE)								
	REAR seat height (RSTF) & wheel size available							
	(MM)	360	385	410	435	460	485	510
Wheel Size	22"	✓	✓	✓	✓	✓		
	24"	✓	✓	✓	✓	✓	✓	
	25"			✓	✓	✓	✓	✓
SJE7200	22" (560 MM) STANDARD, CROSS SPOKED WHEEL							○
SJE7210	22" (560 MM) LIGHTWEIGHT, RADIAL SPOKED, BLACK RIM & HUB - 6 POINTS HANDRIM (NC: 8000, 8160)							£50
SJE7230	24" (610 MM) STANDARD, CROSS SPOKED WHEEL							◆
SJE7240	24" (610 MM) LIGHTWEIGHT, RADIAL SPOKED, BLACK RIM & HUB - 6 POINTS HANDRIM (NC: 8000, 8160)							£50
SJE7250	25" (635 MM) LIGHTWEIGHT, RADIAL SPOKED, BLACK RIM & HUB - 6 POINTS HANDRIM (NC: 8000, 8160)							£50
SJE7260	25" (635 MM) SPINERGY WHEELS - BLACK (NC: 8000, 8160)							£481
TYRE TYPE								
	Available rear wheel, tyre type and handrim combinations	Rear wheel type						
		22" Standard	22" Lightweight	24" Standard	24" Lightweight	25" Lightweight	25" Spinergy	
	Tyre type							
SJE7300	SOLID GREY 1.3/8" (35MM)	✓	✓	✓	✓			
SJE7305	PNEUMATIC TYRE GREY 1.3/8" (35MM) BLOCK PATTERN	✓	✓	✓	✓			
SJE7310	HP PNEUMATIC TYRE GREY AND BLACK 1" (25MM)			✓	✓			
SJE7320	SCHWALBE PNEUMATIC MARATHON PLUS EVO 1" (25MM)				✓	✓	✓	
	Handrim type							
SJE7400	ALUMINIUM HANDRIM	✓	✓	✓	✓	✓	✓	
SJE7410	STAINLESS STEEL			✓				
SJE7420	HANDRIM COATED IN BLACK ANTI-SLIP	✓	✓	✓	✓	✓		
SJE7300	SOLID GREY 1.3/8" (35MM)							◆
SJE7302	SOLID BLACK 1.3/8" (35 MM)							○
SJE7305	PNEUMATIC TYRE GREY 1.3/8" (35MM) BLOCK PATTERN							○
SJE7310	HP PNEUMATIC TYRE GREY AND BLACK 1" (25MM)							○
SJE7320	SCHWALBE PNEUMATIC MARATHON PLUS EVO 1" (25MM)							£60
HANDRIM TYPE								
SJE7400	ALUMINIUM HANDRIM							◆
SJE7410	STAINLESS STEEL							○
SJE7420	HANDRIM COATED IN BLACK ANTI-SLIP							£43
REAR WHEEL AXLE TYPE								
SJE7500	QUICK RELEASE AXLE							◆

REAR WHEEL POSITION		
SJE7600	VERY ACTIVE WHEEL POSITION - From front of backrest to axle position + 4" (100 mm)	○
SJE7610	ACTIVE REAR WHEEL POSITION - From front of backrest to axle position + 3" (75 mm)	○
SJE7620	MEDIUM ACTIVE WHEEL POSITION - From front of backrest to axle position + 2" (50 mm)	○
SJE7630	STANDARD REAR WHEELS POSITION - From front of backrest to axle position + 1" (25 mm)	◆
		
CAMBER ANGLE (0°, 1° and 2° DELIVERED WITH 2 CAMBER SPACERS, 3° and 4° DELIVERED WITH 4 CAMBER SPACERS)		
SJE7700	0° CAMBER	○
SJE7710	1° CAMBER	○
SJE7720	2° CAMBER	◆
SJE7730	3° CAMBER	○
SJE7740	4° CAMBER	○
CHASSIS OPTIONS TYPE		
SJE8000	SPOKE PROTECTORS PAIR - Clear (except in black for the Standard cross spoked wheel 24" SJC7230)	£70
SJE8020	PUMP - LOW PRESSURE	£19
SJE8030	PUMP - HIGH PRESSURE	£35
BRAKES TYPE		
SJE8100	PUSH TO LOCK BRAKES	◆
SJE8110	PULL TO LOCK BRAKES	○
SJE8120	PUSH TO LOCK BRAKES WITH EXTENSION	£15
SJE8130	PULL TO LOCK BRAKES WITH EXTENSION	£15
SJE8160	ATTENDANT HUB BRAKES (INCLUDED STANDARD PUSH TO LOCK BRAKE) - 22" & 24" STANDARD CROSS SPOKED WHEELS ONLY	£198
SAFETY OPTIONS TYPE		
SJE8200	TRANSPORTATION KIT INCLUDING BUCKLE BELT (only for use with back heights 400mm and over)	◆
SJE8300	BUCKLE BELT	○
SJE8500	REAR ANTI-TIPPER ACTIVE RH (NC: 9200)	£54
SJE8550	REAR ANTI-TIPPER ACTIVE LH (NC: 9100)	£54
SJE8600	REFLECTORS KIT (WHEELS)	£15
ATTENDANT OPTIONS TYPE		
SJE9000	CANE HOLDER	£19
SJE9100	TIPPING AID (LH)	£43
SJE9200	TIPPING AID (RH)	£43
Total		

Non Conforming Option	
SJE7600	VERY ACTIVE WHEEL POSITION - From front of backrest to axle position +4" (100mm)
SJE3450	FIXED FRAME, LONG TUBE, FOR KNEE TO HEEL 360 - 500MM
SJE7040	4" X 1.3/8" (100 X 35MM) ALU SOFTROLL
SJE7070	5" X 1.3/8" (125 X 35MM) ALU SOFTROLL
SJE7110	7" X 1.1/4" (180 X 30MM) SOLID
SJE2300	HEIGHT ADJUSTABLE FROM 360 - 400MM (14.5" - 16") SET AT 400MM (16")
SJE2310	HEIGHT ADJUSTABLE FROM 410 - 490MM (16" - 19.5") SET AT 450MM (18")
SJE2400	WITHOUT PUSH HANDLES (7° bend)
SJE2410	REAR SET (REA TYPE) (7° bend)
SJE2420	VERTICAL INTEGRATED (TELESCOPIC 120 - 140MM ADJUSTMENT. 5"-7")
SJE2505	FIXED BACKREST, NYLON & MESH PADDED COVER (WITH REFLECTIVE STRIP & BACK POCKET)
SJE8160	ATTENDANT HUB BRAKES (INCLUDED STANDARD PUSH TO LOCK BRAKE) - 22" & 24" STANDARD CROSS SPOKED WHEELS ONLY
SJE8200	TRANSPORTATION KIT INCLUDING BUCKLE BELT
SJE9100	TIPPING AID (LH)
SJE9200	TIPPING AID (RH)
SJE9000	CANE HOLDER
SJE5500	FOLDING BACKBRACE
SJE4010	REMOVABLE RH, HEIGHT ADJUSTABLE (NO.1) T-ARM DESK ARMPAD (280MM), ADJUSTABLE ON SEATRAIL BY 150MM
SJE4020	REMOVABLE RH, HEIGHT ADJUSTABLE (NO.1) T-ARM FULL ARMPAD (380MM), ADJUSTABLE ON SEATRAIL BY 50MM
SJE4030	SWING AWAY DETACHABLE HEIGHT ADJ RH (NO.3) DESK ARMPAD (280MM), REVERSIBLE INCREASES FRONT BY 50MM
SJE4040	SWING AWAY DETACHABLE HEIGHT ADJ RH (NO.3) FULL ARMPAD (380MM)
SJE4110	REMOVABLE LH, HEIGHT ADJUSTABLE (NO.1) T-ARM DESK ARMPAD (280MM), ADJUSTABLE ON SEATRAIL BY 150MM
SJE4120	REMOVABLE LH, HEIGHT ADJUSTABLE (NO.1) T-ARM FULL ARMPAD (380MM)
SJE4130	SWING AWAY DETACHABLE HEIGHT ADJ LH (NO.3) DESK ARMPAD (280MM), REVERSIBLE INCREASES FRONT BY 50MM
SJE4140	SWING AWAY DETACHABLE HEIGHT ADJ LH (NO.3) FULL ARMPAD (380MM)
SJE8000	SPOKE PROTECTORS PAIR - CLEAR (except in black for standard cross spoked wheel 24" SJC7230)



Please refer to our Invacare Unique special order form, for more complex custom requirements. Available at www.invacare.co.uk

Special Instructions - Please supply the following information:

Name: _____ **Email:** _____

Phone: _____ **Fax:** _____

Description of special request (please include relevant option code or part number):